



DPM05 Flow Computer



| Features |

- LED display : Instantaneous flow : 5-digit, Cumulative flow : 8-digit, accuracy $\pm 0.2\%$ F.S.
- Temperature and pressure compensation : Utilizes temperature and pressure measurements for precise density compensation and high accuracy flow calculations, with built-in formulas for various applications.
- RS-485 communication support : Adopts the standard Modbus RTU communication protocol.
- Auxiliary power supply : Provides two sets of DC 24V power supplies to simplify field wiring.
- Isolation design : Ensures mutual isolation between input, output, power, and communication interfaces.

| Introduction |

The DPM05 Flow Computer collects temperature, pressure, and flow signals to calculate flow rates. Suitable for liquid, gas, superheated steam, and saturated steam flow measurement and control, it supports energy management and consumption analysis for businesses.

| Applications |

Gas flow measurement / Differential pressure flow meter / Compressed air systems / Chemical processes / Steam usage monitoring

| Specification |

Display

Display readout	Instantaneous flow : 5-digit Cumulative flow : 8-digit
Decimal point	0 ... 3 place
Display	LED display Instantaneous flow digit height : 8 mm Cumulative flow digit height : 7 mm
Sampling time	500 ms
Parameter setting mode	Button

Accuracy

Display	±0.2% F.S. ±1 digit
---------	---------------------

Input

Flow	4 ... 20 mA, square root
Pressure	4 ... 20 mA
Temperature	PT100

Output

Signal type	Current : 4 ... 20 mA
Relay	Alarm range : -199999 ... 999999 Relay capacity : Max current : 2A Max voltage : AC 220 V / DC 24 V
Communication	RS-485 Modbus RTU RS-485 baud rate : 1200 、 2400 、 4800 、 9600 、 19200

Environment

Operating environment	0 ... + 50°C ; 0 ... 85%RH
-----------------------	----------------------------

Electrical

Power supply	AC 100 ... 240 V / 50 ... 60 Hz
Auxiliary power	DC 24 V±1 V / ≤30 mA
Dissipated power	6 W

Isolation

Four-way isolation	
--------------------	--

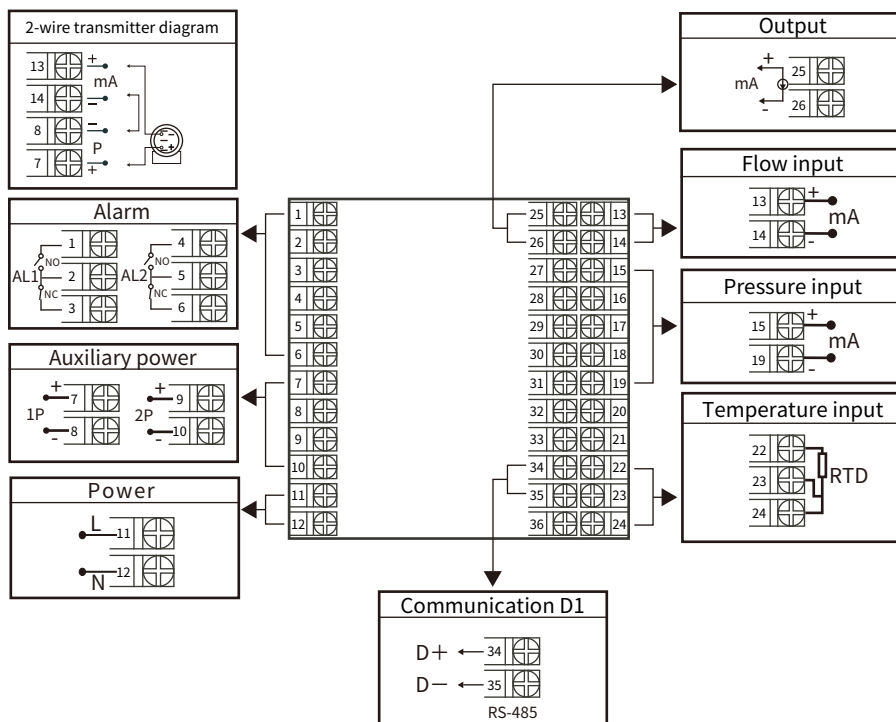
Protection

IP rating	IP54(Front panel)
-----------	-------------------

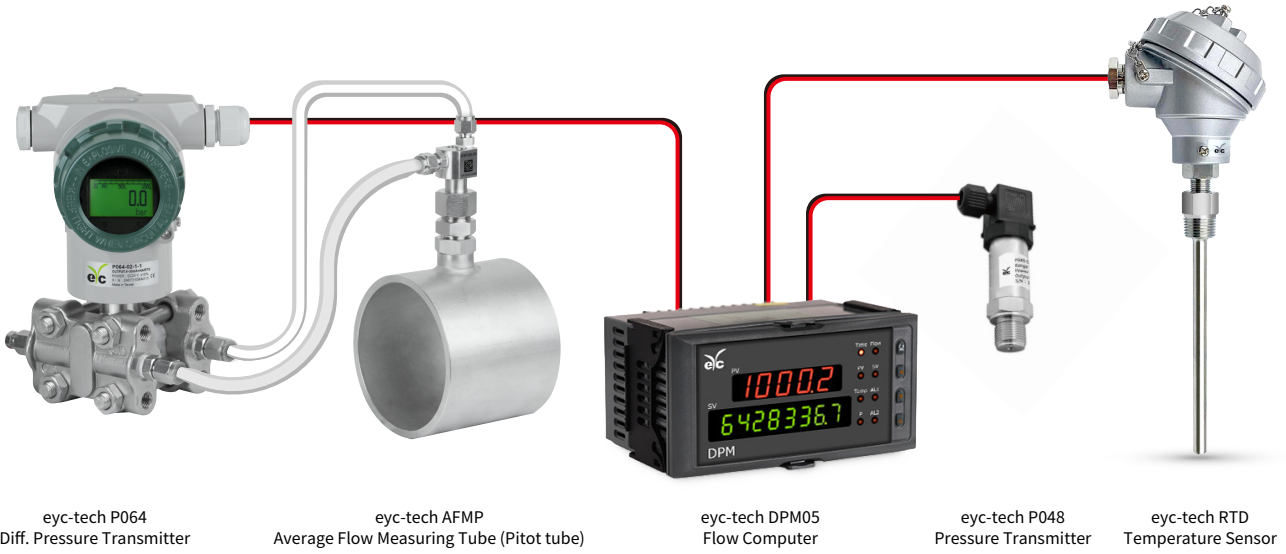
Material

Housing	ABS
Dimensions	96x48x110 mm
Cut out dimensions	92x45 mm(+0.5 mm)
Weight	500 g

| Diagram |



| Combination |



| Display Information |



| Ordering Guide |

